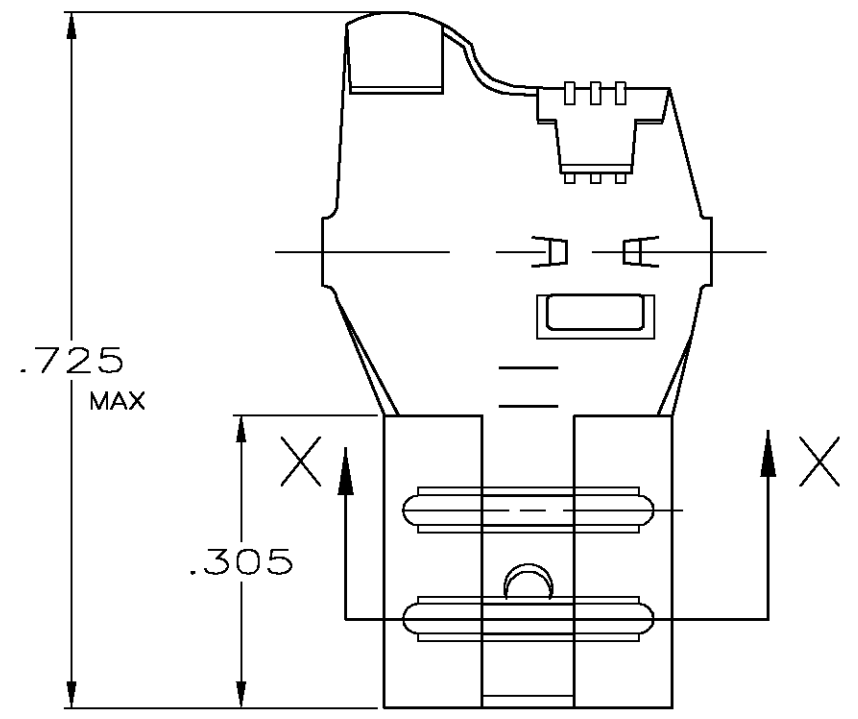
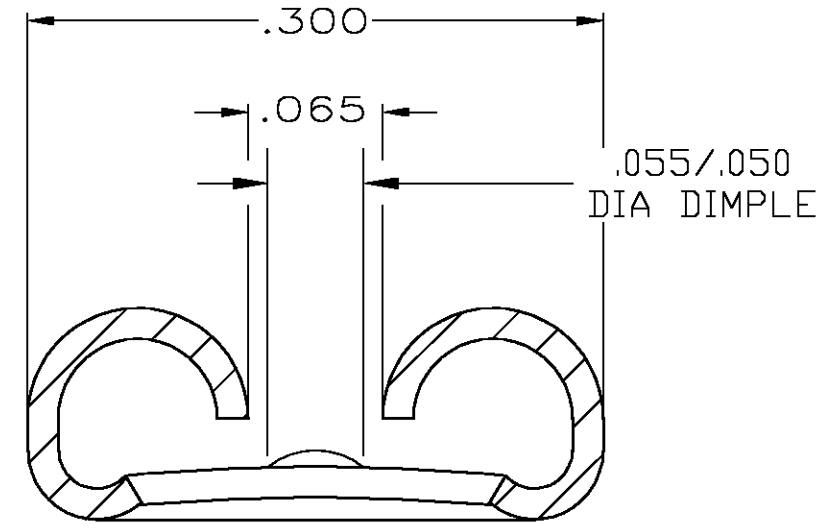


THIS DRAWING IS UNPUBLISHED. RELEASED FOR PUBLICATION
 © COPYRIGHT BY TYCO ELECTRONICS CORPORATION. ALL RIGHTS RESERVED.

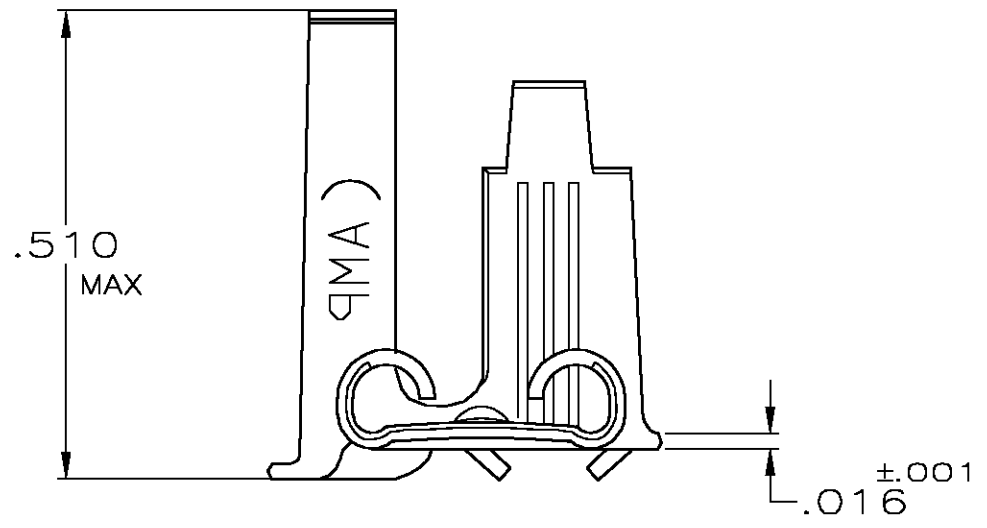
LOC	DIST	REVISIONS			
P	LTR	DESCRIPTION	DATE	DWN	APVD
AF	50	D	REV PER 0G3A-0389-03	24JUN03	JR PD



- 1 CONTINUOUS STRIP ON REELS
- 2 WIRE SIZE IS FOR TWO #14'S.
- 3 INSULATION RANGE IS FOR TWO AT .140 MAX DIA
- 4 MATING TAB THK IS .032±.001.



SECTION X-X
SCALE 10:1



1217876-1
PART NO.

THIS DRAWING IS A CONTROLLED DOCUMENT.		DWN JR RUTH 09SEP02	Tyco Electronics Corporation Harrisburg, PA 17105														
DIMENSIONS: INCHES		CHK P DESANTIS 09SEP02															
TOLERANCES UNLESS OTHERWISE SPECIFIED:		APVD P DESANTIS 09SEP02	NAME RECEPTACLE, FASTON, FLAG, .250 SERIES														
<table border="0"> <tr><td>0 PLC</td><td>± -</td></tr> <tr><td>1 PLC</td><td>± -</td></tr> <tr><td>2 PLC</td><td>± -</td></tr> <tr><td>3 PLC</td><td>± .010</td></tr> <tr><td>4 PLC</td><td>± -</td></tr> <tr><td>ANGLES</td><td>± -</td></tr> </table>		0 PLC	± -	1 PLC	± -	2 PLC	± -	3 PLC	± .010	4 PLC	± -	ANGLES	± -	PRODUCT SPEC -	APPLICATION SPEC -		
0 PLC	± -																
1 PLC	± -																
2 PLC	± -																
3 PLC	± .010																
4 PLC	± -																
ANGLES	± -																
MATERIAL H02 STEEL	FINISH .000150 NICKEL	WEIGHT -	SIZE A3	CAGE CODE 00779	DRAWING NO C-1217876	RESTRICTED TO -											
CUSTOMER DRAWING			SCALE 5:1	SHEET 1 OF 1	REV D												